

ADVERTISEMENTS



Donna Swanson
Rock Creek Quilting

Long-Arm Quilting Services
 Creative, Custom Designs
 Smoke & Pet Free
 Quick Turn Around
 (Send by mail or FedEx)
 208-259-3740
rockcreekquilting@yahoo.com



**IDAHO
 PUBLIC
 TELEVISION**
idahoptv.org

Quilting Shows

Boise Basin Quilters' Guild
 Sponsors *Idaho PTV*
Channel 4.1

**Watch every
 Sunday, 2:00 p.m.**



**BBQ is a Fred Meyer Rewards
 Community Partner**

BBQ is a registered Community Partner with the *Fred Meyer Rewards* program. *Fred Meyer* will donate cash to us quarterly, based on the \$\$ spent by Rewards Members who link their Rewards card to *BBQ* and **you keep** all of the Rewards points you earn. Being a Rewards member is free and is as easy as showing your key ring fob or card whenever you shop at a *Fred Meyer* store or gas station.

Here's what you do: Get a *Fred Meyer Rewards* card at any *Fred Meyer* register or customer service desk. Sign in to *Fred Meyer Rewards*:

<https://www.fredmeyer.com/signin?redirectUrl=/account/communityrewards/enroll>

Click the link at the bottom of the page to "Create an Account"

You'll need your Fred Meyer Rewards card number to create an account. Enter *BBQ's* Community Partner ID number **89797** and click the "Search" button. Click the "circle" next to *BBQ* as the Organization Name. Click "Enroll".

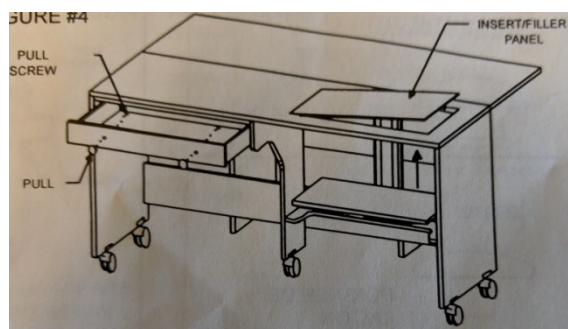
ADVERTISEMENTS

Horne sewing cabinet

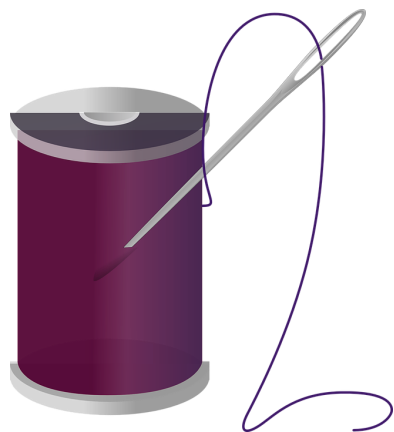
\$400

Horne of America Model 2080A

19-1/2" deep x 60" wide, Extends to 39" depth with swing out platform on rear. Melamine white finish. One drawer, inside dimensions: 24-3/4" wide x 16" deep x 2-1/4" high
Features [manual] Air Glide lift to adjust height of the machine for a large flat bed sewing area perfect for machine quilting. Outside dimension of insert: 24" x 12-1/2"
I will include the Sew Steady Acrylic Insert that fit both my Bernina Artista 170 and 730.



Karen Falvey, Boise 208-447-8236



Huckleberry Patches

Lisa Murrant

huckleberrypatches.com

136 E Lake St.

208-634-4933

McCall, Idaho 83638

Hours are Mon—Sat 11am—5pm



Do you love Huckleberry Patches as much as we do? Then you don't want to miss our..... HP 1st Annual Quilt Retreat! **When:** April 1st-4th, 2019 **Where:** Trinity Pines Camp in Cascade, Idaho **Why:** Get YOUR projects done!
Cost: \$225 price includes housing and 2 meals per day. A \$50.00 dollar deposit will hold your spot.

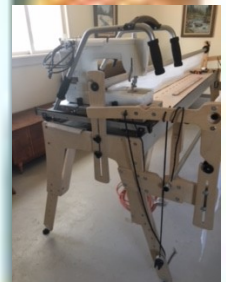
SIGN UP TODAY!

The above section is paid advertisements. Their inclusion in this newsletter doesn't imply endorsement by Boise Basin Quilters.

ADVERTISEMENTS

FOR SALE

NOUVELLE 1500S SEWING MACHINE WITH A 8' GRACE COMPANY FRAME. IN EXCELLENT CONDITION. (NOT INCLUDED) YOU CAN ADD A 4' EXTENSION TO FRAME. ASKING A SUPER FAIR PRICE OF \$975.00. PLEASE CALL STU OR SHAWNA AT 208-440-3379.



ADVERTISEMENTS

Quilters Anonymous, the largest guild in Western Washington, invites you and your members to **Color Dance in Fabric & Thread, our 38th annual quilt show**, featuring more than 500 quilts, 25 vendors plus demonstrations, food and quilted items for purchase.

The show is Friday through Sunday, **March 15-17, 2019**, at the Evergreen State Fairgrounds Events Center in Monroe, WA. Our members' quilts feature hand and machine quilting, applique, traditional patchwork piecing, modern quilts, art quilts and embellishments with beads and buttons. Diane Coombs, a long-time QA member, is the featured artist.

Show hours: Friday and Saturday: 10 am to 5 pm; Sunday: 10 am to 4 pm
Admission: \$9, good for all three days; \$5 admission per person for bus groups

This year's show includes:

Quilts to Go – quilts and related items for purchase

Demonstrations by guild members

Challenge quilts made by members

A merchant mall of 25 vendors: fabric, patterns, quilting tools, beads and embellishments, and other items for needle arts

Viewers' Choice Awards – selected by attendees

Sale of pre-owned quilt books

Community service display

Discount available for bus arrivals, **Contact: Sheila Hooper, 206-300-3724 or email [\[qs.com\]\(http://qs.com\)](mailto:chocoholic@ps-n-</p></div><div data-bbox=)**

Mention the show to get rooms at the Best Western in Monroe for \$99 a night.

Free parking!

A quilt show flyer is attached. We appreciate you providing information to your members, and we hope to see you at the show!

For more specific information: www.quiltersanonymous.org or email quiltshowinfo@quiltersanonymous.org